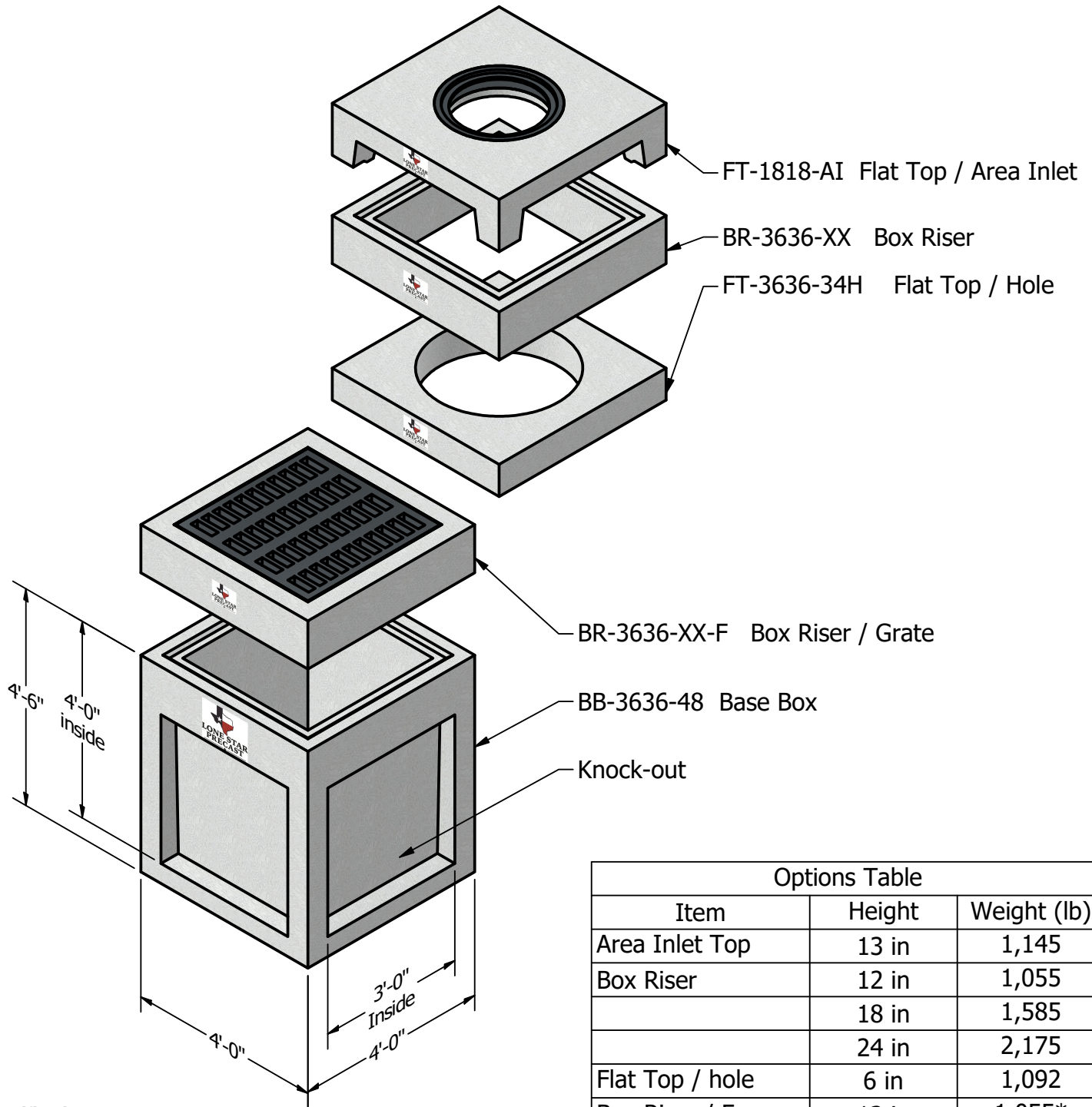


3'-0" X 3'-0" Storm Box with Options



Specifications

Concrete strength: 5,000 PSI

Reinforcement:

- ASTM A-615 grade 60
- ASTM A1064

Options Table

Item	Height	Weight (lb)
Area Inlet Top	13 in	1,145
Box Riser	12 in	1,055
	18 in	1,585
	24 in	2,175
Flat Top / hole	6 in	1,092
Box Riser / Frame	12 in	1,055*
Box Base	60 in	4,030

* Not including grate



Lone Star Precast
454 Kelly Smith Lane
Buda, Texas 78610
Ph: 512.312.2121



TITLE

3'-0" x 3'-0" Storm Box System

PART NO

BB-3636 Storm System

DWG NO

BB-3636 Storm System-SS.idw

REV

DRAWN

RMD

3/1/2022

SCALE

1 / 30

Dimensions Unit: inch

SHEET 1 OF 1